

Hendrix Expands its Insulator Product Offering with a NEW

Hendrix: “HPI-55-3” Polyethylene ANSI Class 55-3 Insulator

Made from the same proprietary, gray, track Resistant, high-density polyethylene as all Hendrix Wire & Cable Insulators

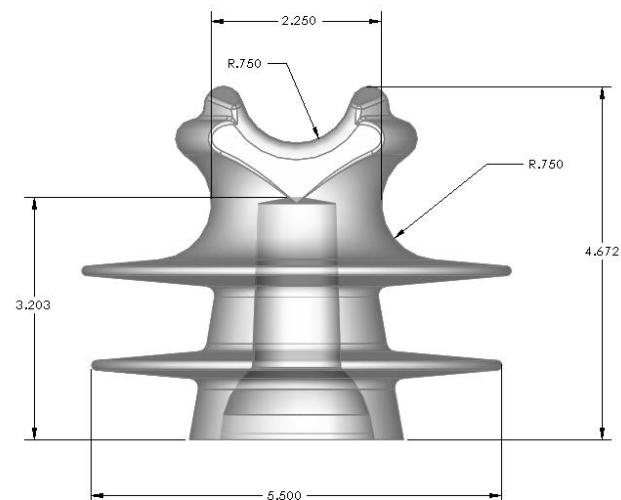


HPI-55-3 Advantages:

- Resistant to Cracking, Chipping and Vandalism
- Direct replacement for porcelain
- Lightweight and easy to use
 - Weighs just .9 lbs
- 1” threads

The HPI-MS surpasses ANSI C29.1 and ANSI C29.5 requirements for Class 55-3:

<u>Requirement:</u>	<u>ANSI 55-3:</u>	<u>HPI-55-3:</u>
Leakage Distance	7”	10.3”
Dry Arc Distance	4.5”	6.1”
Dry Flashover	55 kv	69 kv
Wet Flashover	30 kv	43 kv
Impulse-Pos	90 kv	109 kv
Impulse-Neg	110 kv	151 kv
60 HZ Puncture	90 kv	210 kv
Cantilever	2500 lbs	> 3000 lbs
Std Package		25 ea





Molded Products Division

HENDRIX
Your Reliability Partner

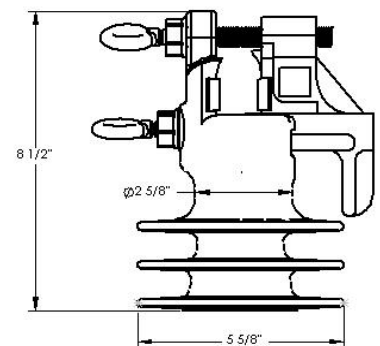
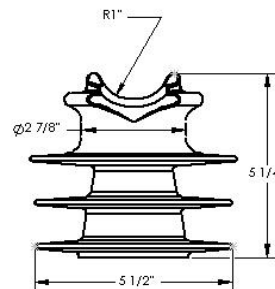
ANSI Class POLYETHYLENE DISTRIBUTION PIN TYPE INSULATORS



- Tie Top and Vise Top Designs
- All Distribution ANSI Class Ratings
- 41 + Years Proven Field Performance
- Fully Interchangeable with Porcelain Insulators
- Made of Grey Track Resistance High-Density Polyethylene
- Designed for Use with Either Hand Wrapped or Preformed Ties
- Highly Resistant to Impact Damage, Breakage and Vandalism
- Light Weight and Compact for Easy Storage and Handling

Exceeds ANSI Performance Standards

	<u>HPI-55-4</u>	<u>HPI-15VT</u>
ANSI Class	55-4	55-3; 55-4
Nominal L-L Voltage	15KV	15KV
Leakage Distance	12.5"	15.8"
Dry Arc Distance	6.7"	8.1"
60 HZ Dry Flashover	80KV	94KV
60 HZ Wet Flashover	46KV	46KV
Positive Impulse Flash	122KV	141KV
Negative Impulse Flash	202KV	175KV
Cantilever Strength	3000 lbs	3000 lbs
Weight	1.2 lbs	2.0 lbs
Pin Hole Diameter	1"	1"



Hendrix Expands its Insulator Product Offering with a NEW

Hendrix: “HPI-55-5” Polyethylene ANSI Class 55-5 Insulator

Made from the same proprietary, gray, track Resistant, high-density polyethylene as all Hendrix Wire & Cable Insulators

HPI-55-5 Advantages:

- Resistant to Cracking, Chipping and Vandalism
- Direct replacement for porcelain
- Lightweight and easy to use
 - Weighs just 1.3 lbs
- 1” threads



The HPI-55-5 surpasses ANSI C29.1 and ANSI C29.5 requirements for Class 55-5 Insulators:

<u>Requirement:</u>	<u>ANSI 55-5:</u>	<u>HPI-55-5:</u>
Leakage Distance	12”	14.7”
Dry Arc Distance	6.25”	7.2”
Dry Flashover	80 kv	86 kv
Wet Flashover	45 kv	58 kv
Impulse-Pos	130 kv	137 kv
Impulse-Neg	150 kv	197 kv
60 HZ Puncture	115 kv	215 kv
Cantilever	3000 lbs	> 3000 lbs
Std Package		20 ea

